

Wiki

- [Windows 11](#)
- [SOKVASS](#)
- [SOKVASS Huskeliste](#)
- [SOKVASS Album](#)
- [CS:GO Dedicated Server GunGame](#)
- [Age of Mythology](#)
- [Høiebanden Komputer Utlåns-Klubb](#)
 - [PC](#)
 - [Vebby PC](#)
- [CS Dedicated Server](#)
- [SOKVASS Album 2](#)

Windows 11

Place of purchase

<https://www.hrkgame.com/en/library/products/> (home license)

<https://www.premiumcdkeys.com/> (pro license)

Installing Windows 11 without TPM and SecureBoot

Create Windows 11 USB normal way via ISO and Rufus

Shift + F10 -> Regedit

HKEY_LOCAL_MACHINE\SYSTEM\Setup -> Create Key "LabConfig"

Create DWORD-32 -> BypassTPMCheck -> Value: 1

Create DWORD-32 -> BypassSecureBootCheck -> Value: 1

Exit installation window and click Install Windows again.

URL: <https://www.askvg.com/how-to-bypass-this-pc-cant-run-windows-11-error-and-disable-hardware-check-on-unsupported-devices/>

Donkey Kong

Donkey kong: [N64-Emu-Donkey-Kong-64.zip](#)

Disable "Let's finish setting up your device"

Windows 10

Settings -> System ->

[Check] Off suggestions on how I can set up my device

[Check] Get tips and suggestions when I use Windows

Windows 11

Settings -> System -> Notifications -> Additional Settings

Enable "End Task" on Taskbar

Settings -> System -> For Developers -> "End Task" = ON

Disable Bing web search on Start-menu

This is to disable the start-menu from searching on Bing on everything you type. Will make searching for apps on your computer quicker.

```
cmd.exe /c reg add "HKEY_CURRENT_USER\Software\Policies\Microsoft\Windows\Explorer" /v  
"DisableSearchBoxSuggestions" /t REG_DWORD /d 1 /f
```

Turn off password protected sharing

Source: <https://windowsreport.com/turn-off-password-protected-sharing-windows-11/>

Turn off Password protected sharing via Network & sharing center -> Advanced etc...

```
cmd.exe /c reg add  
"HKEY_LOCAL_MACHINE\SYSTEM\CurrentControlSet\Services\LanmanServer\Parameters" /v  
"restrictnullsessaccess" /t REG_DWORD /d 0 /f
```

```
cmd.exe /c reg add "HKEY_LOCAL_MACHINE\SYSTEM\CurrentControlSet\Control\Lsa" /v
"everyoneincludesanonymous" /t REG_DWORD /d 1 /f
```

Windows File Sharing

To disable password protected sharing it sometimes helps to set the network to private. Settings -> Network & Internet -> Properties -> Private Network

Remove Legal Notice from AD Object

This will remove the legal notice warning that appears on AD objects, if you have put the computer in wrong OU, or it is still located in New Computers OU.

```
cmd.exe /c reg delete
"HKEY_LOCAL_MACHINE\SOFTWARE\Microsoft\Windows\CurrentVersion\policies\system" /v
legalnoticecaption /f
cmd.exe /c reg delete
"HKEY_LOCAL_MACHINE\SOFTWARE\Microsoft\Windows\CurrentVersion\policies\system" /v
legalnoticetext /f
```

Console Timeout

This is a regedit to enable Console timeout in the Power options. This is so that you can make sure the screens of your computer is still ON even though you are logged out of your computer.

```
cmd.exe /c reg add
"HKEY_LOCAL_MACHINE\SYSTEM\CurrentControlSet\Control\Power\PowerSettings\7516b95f-f776-4464-
8c53-06167f40cc99\8ec4b3a5-6868-48c2-be75-4f3044be88a7" /v "Attributes" /t REG_DWORD /d "2" /f
```

Do not Require Password after sleep

This is so that you are not required to login after computer has gone to sleep.

```
cmd.exe /c powercfg /SETDCVALUEINDEX SCHEME_CURRENT SUB_NONE CONSOLELOCK 0  
cmd.exe /c powercfg /SETACVALUEINDEX SCHEME_CURRENT SUB_NONE CONSOLELOCK 0
```

Allow all in Firewall

This makes it so that you can have the firewall ON and get rid of stupid messages. But still have everything go through the firewall.

Run in Powershell:

```
New-NetFirewallRule -DisplayName "Allow all Inbound" -Direction Inbound -Action Allow -Profile  
Any  
New-NetFirewallRule -DisplayName "Allow all Outbound" -Direction Outbound -Action Allow -  
Profile Any
```

Allow Ping in Firewall

```
New-NetFirewallRule -DisplayName "Allow Inbound ICMPv4 (ping)" -Direction Inbound -Protocol  
ICMPv4 -IcmpType 8 -Action Allow -Profile Any
```

Allow VNC in Firewall

```
New-NetFirewallRule -DisplayName "Allow VNC Inbound" -Direction Inbound -Protocol TCP -  
LocalPort 5900 -Action Allow -Profile Any
```

Allow RDP in Firewall

```
New-NetFirewallRule -DisplayName "Allow RDP Inbound" -Direction Inbound -Protocol TCP -  
LocalPort 3389 -Action Allow -Profile Any
```

Allow FTP in Firewall

```
New-NetFirewallRule -DisplayName "Allow FTP Inbound" -Direction Inbound -Protocol TCP -  
LocalPort 21 -Action Allow -Profile Any
```

Keymap for Mac Keyboard

Map Cmd key to Windows Key, this is for when in Windows and using Mac Keyboard

```
cmd.exe /c reg add "HKEY_LOCAL_MACHINE\SYSTEM\CurrentControlSet\Control\Keyboard Layout" /v  
"Scancode Map" /t REG_BINARY /d  
"00000000000000000000000070000002ee0650030e066005ce038e05be0380038005be038e05ce000000000" /f
```

Remove Cmd to Windows key mapping

```
cmd.exe /c reg del "HKEY_LOCAL_MACHINE\SYSTEM\CurrentControlSet\Control\Keyboard Layout" /v  
"Scancode Map" /t REG_BINARY /d  
"00000000000000000000000070000002ee0650030e066005ce038e05be0380038005be038e05ce000000000" /f
```

Removing keyboard layouts all but Norwegian

Remove all keyboard layouts from registry except for Norwegian. This will help to make sure Windows does not add keyboard layout randomly.

```
# Export a backup of the registry before doing any changes  
Write-Host "Backing up Registry before running"  
cmd.exe /c reg export "HKEY_LOCAL_MACHINE\SYSTEM\CurrentControlSet\Control\Keyboard Layouts"  
C:\Registry-Keyboard-Layout-Backup.reg  
  
# Get all the child keys of the Keyboard Layouts key
```

```
$KeyLayoutList = Get-ChildItem -Path "HKLM:\SYSTEM\CurrentControlSet\Control\Keyboard Layouts"
| Select-Object -ExpandProperty PSChildName

# Removing the keys from list
Write-Host "Proceeding to remove all Keyboard Layouts from Registry, except for Norwegian."
Sleep 5
foreach($key in $KeyLayoutList){
    if($key -like "*00000414*"){
        # Do nothing
    }else{
        Remove-Item -Path "HKLM:\SYSTEM\CurrentControlSet\Control\Keyboard Layouts\$key" -
Force
    }
}

# Enter to exit
Read-Host -Prompt "Press Enter to Exit."
exit
```

Disable Shift Sticky keys

```
cmd.exe /c reg add "HKEY_CURRENT_USER\Control Panel\Accessibility\StickyKeys" /v Flags /t
REG_SZ /d 506 /f
```

Fix incorrect Time in Windows

Kjør kommandoen under, reboot, sett Timezone manuelt til UTC også endre klokken til korrekt tid.

```
cmd.exe /c reg add "HKEY_LOCAL_MACHINE\SYSTEM\CurrentControlSet\Control\TimeZoneInformation"
/v RealTimeIsUniversal /t REG_DWORD /d 1 /f
```

How to disable Password at logon

URL: <https://www.tenforums.com/tutorials/3539-sign-user-account-automatically-windows-10-startup-15.html#post1924657>

```
cmd.exe /c reg add "HKEY_LOCAL_MACHINE\SOFTWARE\Microsoft\Windows
NT\CurrentVersion>PasswordLess\Device" /v DevicePasswordLessBuildVersion /t REG_DWORD /d 0
```

Remove Windows 10 apps

```
Get-AppxPackage | Select-Object PackageFullName
$list = Get-Content -Path C:\list.txt
foreach($item in $list){ Remove-AppxPackage -Package "$item" }
```

Disable Notifications

```
cmd.exe /c reg add "HKEY_CURRENT_USER\SOFTWARE\Policies\Microsoft\Windows\Explorer" /v
DisableNotificationCenter /t REG_DWORD /d 1
```

Disable Windows Defender

- gpedit.msc -> Computer Configuration > Administrative Templates > Windows Components > Microsoft Defender Antivirus -> Turn off Microsoft Defender Antivirus (Enable).
- URL: <https://www.windowcentral.com/how-permanently-disable-windows-defender-windows-10#disable-microsoft-defender-with-group-policy>
- <https://www.geekrar.com/permanently-disable-windows-defender/>

Disable Windows Update

Computer Configuration > Administrative Templates > Windows Components > Windows Update -
> Configure Windows Update -> Disabled

Useful Disable utilites for Windows

URL: <https://www.sordum.org/>

SOKVASS

SOKVASS - Sauda OverKomplisert VannAvstengingsSystem.

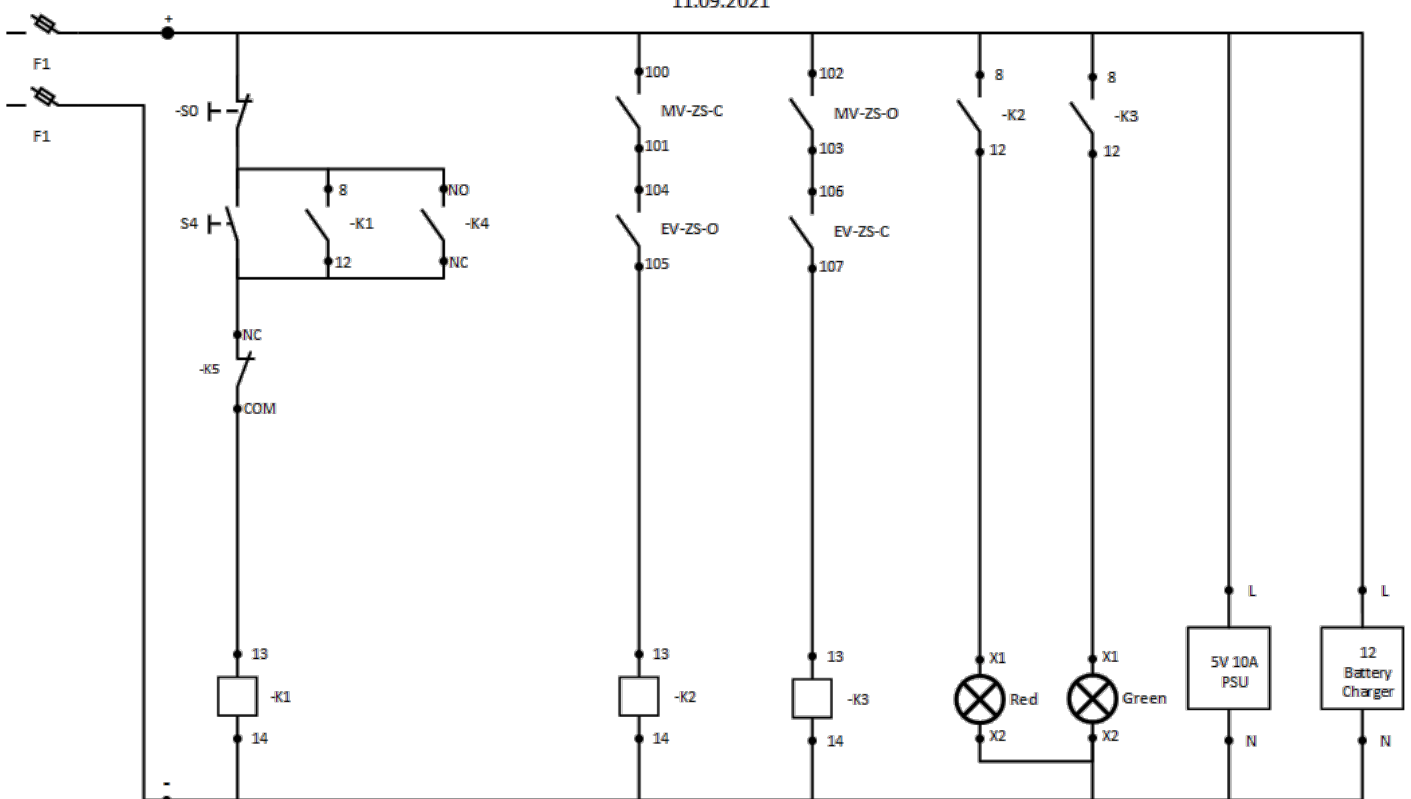
Dette systemet har som mål å stenge vannet på hytta i Sauda på en trygg og enkel måte. Ved å enkelt trykke på grønn eller rød knapp vil vannet gå av eller på. Systemet er også koblet opp mot Homeassistant som gjør at man kan også styre det via mobil app. Batteri er installert i systemet slik at vannet stenges automatisk hvis strømmen går i huset.

[Huskeliste](#)

Schematics and Diagrams

SOKVASS Styrestrømsskjema 230V AC

11.09.2021



[SOKVASS Styrestrøm.svg](#)

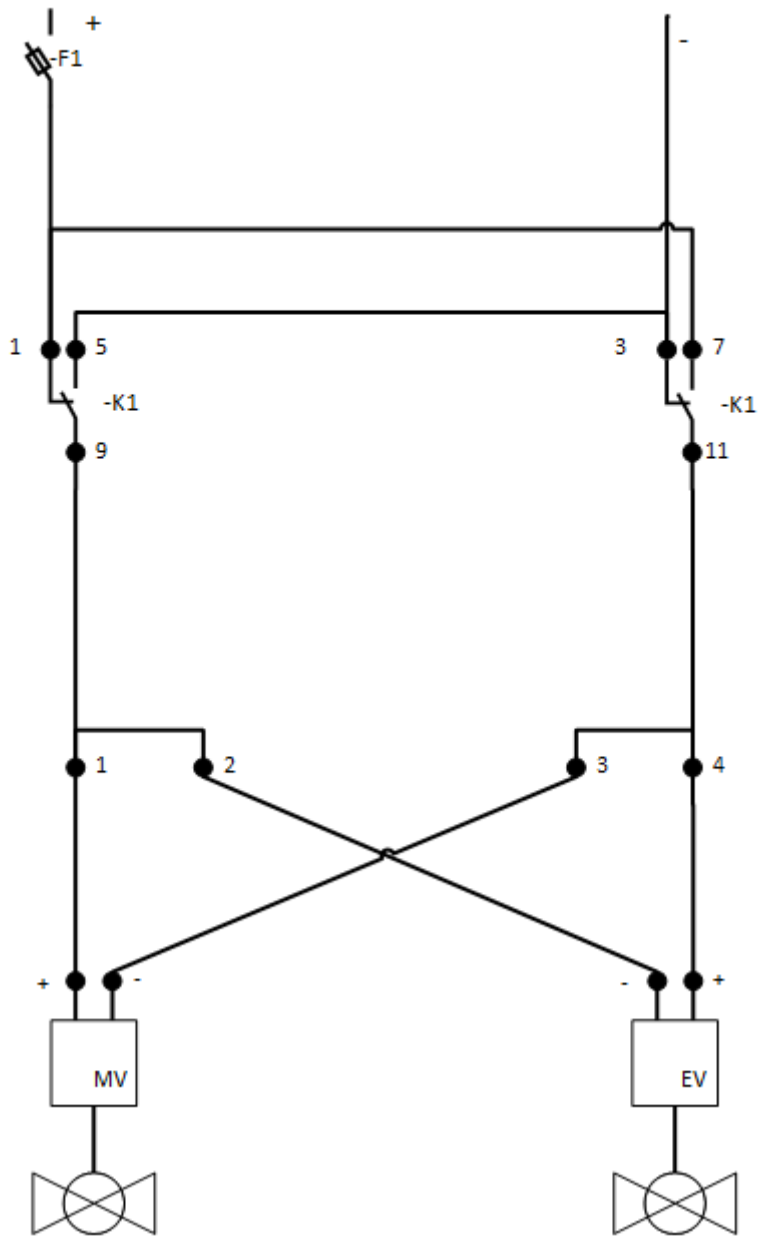
[SOKVASS Styrestrøm v1.pdf](#)

[SOKVASS Koblingskjema.vsd](#)

SOKVASS Hovedstrømsskjema

12V DC

11.09.2021



[SOKVASS Hovedstrøm v1.pdf](#)

Hardware components

Limit switches

<https://www.aliexpress.com/item/32857712732.html?spm=a2g0o.productlist.0.0.1a761be69PKqxy>

https://www.aliexpress.com/item/4000245003731.html?spm=a2g0o.productlist.0.0.1a761be69PKqxy&ad_pvid=202109120316512670784639845510005683297_5&s=p

<https://www.cef.co.uk/catalogue/products/4504955-230v-red-led-indicator-lamp>

Dimensions of piping

Hovedinntak rør: 21mm

Kuleventil (rødt håndtak): 26mm

Home assistant Raspberry PI Setup

This section describes the Homeassistant setup that is running on the Raspberry PI 4.

<http://sauda.bartley.no/>

4G Connection setup

Sixfab 3G/4G LTE Raspberry PI Shield

Connected via USB cable. Connected with External Antenna for maximum coverage.

Scripts

reboot_if_ping_fails.sh

reconnect.sh

Home assistant

Home assistant running in virtual environment.
configuration.yaml
groups.yaml
script.yaml

DuckDNS

Running with crontab. CNAME sauda.bartley.no created.

NGINX

Reverse proxy running to facilitate SSL on Homeassistant
default.conf

Dimensions

Svart inntaksrør som kommer fra bakken har ytre diameter på 26 mm.

Rød kuleventil gods hvor aktuator monteres: Ø31mm

Kobberør ut fra rød kuleventil/hovedventil ytre diameter 21mm.

SOKVASS Huskeliste

- [Done] Tec7 - lime på plass batterilader - Det er allerede pistol / gun i Sauda
- fikse "low voltage detected" on Rpi, justere på PSU-en?
- Få lagt strøm til skapet
- nye endebyttere
- Shine opp endebryte braketter
- Sette i 2 stk. rekkeklemmer i box2 nede i hålet
- Gummi foring til å ha på aktuator brakket (rødt håndtak/kuleventil)
- til eksos rør del, trenger vi noen 90 grader vinkler for å få røret litt finere nedover
- led lamper 24 volt til dør skap
- Montere 22m flex T stykke til vannrør som går til utekran
- Montera fast strøm til skapet
- feste rør til veggen. Klamp og betong borr og ekspansjonsbolt
- når me ska montera kran ute så bytte me til Pex, då trenge me: PEX T stykke, PEX vinkel og PEX til 1/2" hunn overgang/union
- Ha storstilt ryddejobb. Mere rekkeleer, med fargekoder og lasker til rekkeklemmene. fargekoding på kabler. Tall merking til rekkeklemmer
- Lagt inn 230v bryter til varmeovnen nede i hullet
- lagt inn homeassistant styring som skrur på ovn automatisk hvis det blir veldig kaldt! I følge temperatatur måler
- Fikse jording til kobberrør, fordi vi tok den vekk når vi la til pex rør

SOKVASS Album

Bilder tatt av SOKVASS 12.09.2021

